

Overview

When you need to go big, the OrcaVue Overhead has you covered with an arm span of up to 15 feet (or 19 feet with extension option). Shoot larger groups, sets, and even cars!

Highlighted Features

Travel - Comes with a 1650 Pelican Case that can be easily shipped or checked on an airline.

Setup - The included pulley system allows the unit to be installed on a truss with just one person in minutes.

Wireless-ness - That's right, the Overhead comes with a battery and key fob for completely wireless operation.

Flexibility - The highly adjustable arm allows the camera to capture a wide range of subjects, objects, and activities.

Specs

Unit Height : 5.75" (14.6cm)

Max Camera Weight : 4 lbs (1.8kg)

Rotation Speed : 6 - 15 RPM

Platform Weight : 30 lbs (13.6 kg)

Shipping Weight : 60 lbs (27 kg)

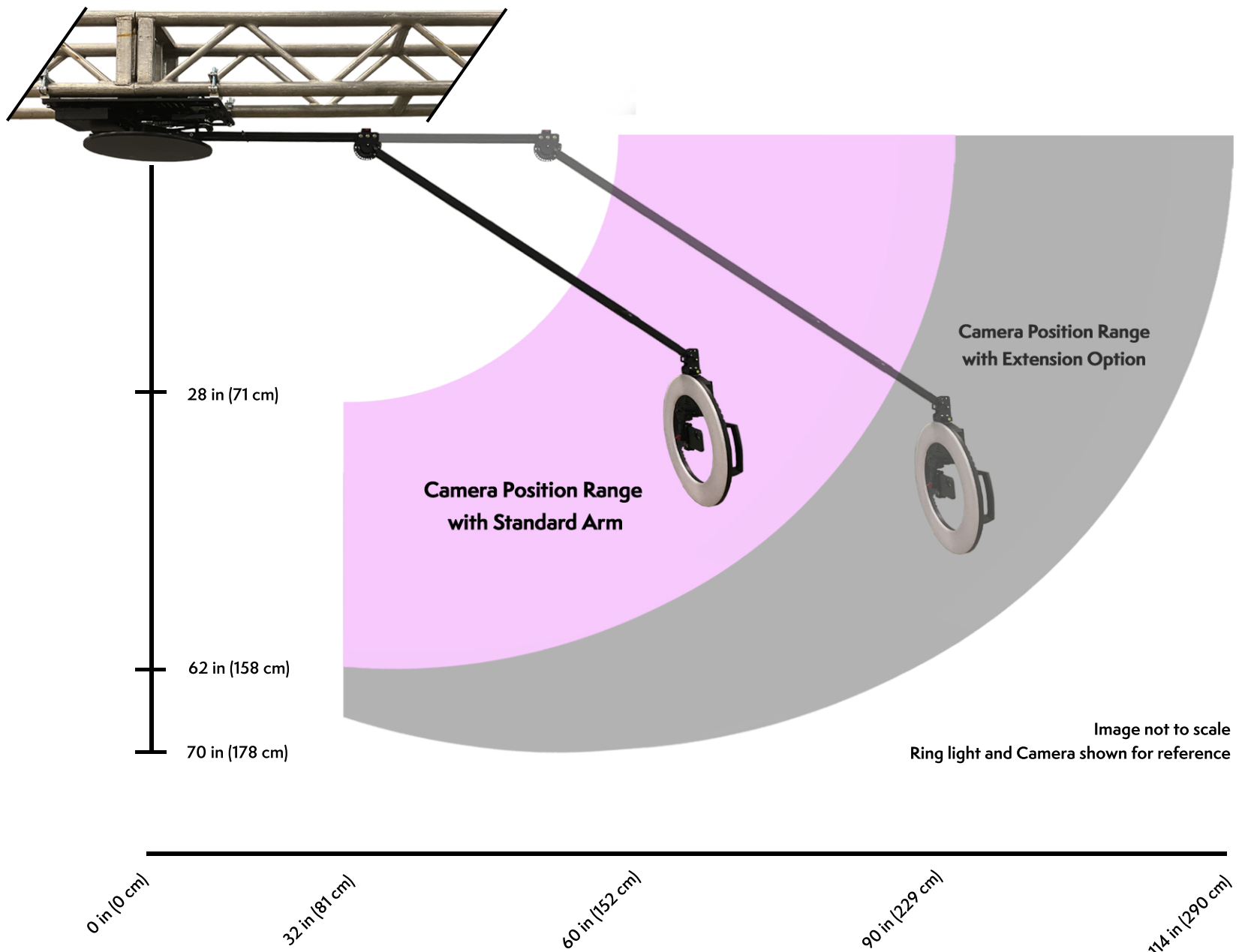
Battery Life : 8+ hrs / 350 Sessions

Mounting : 8-12" Box Truss

Max Swing Diameter : 15' (19' with Extension)

Reccomended Truss Ht : 8'-12' (244-366cm)

Travel Case : 1650 Pelican Case (plus arm bag for extended version)

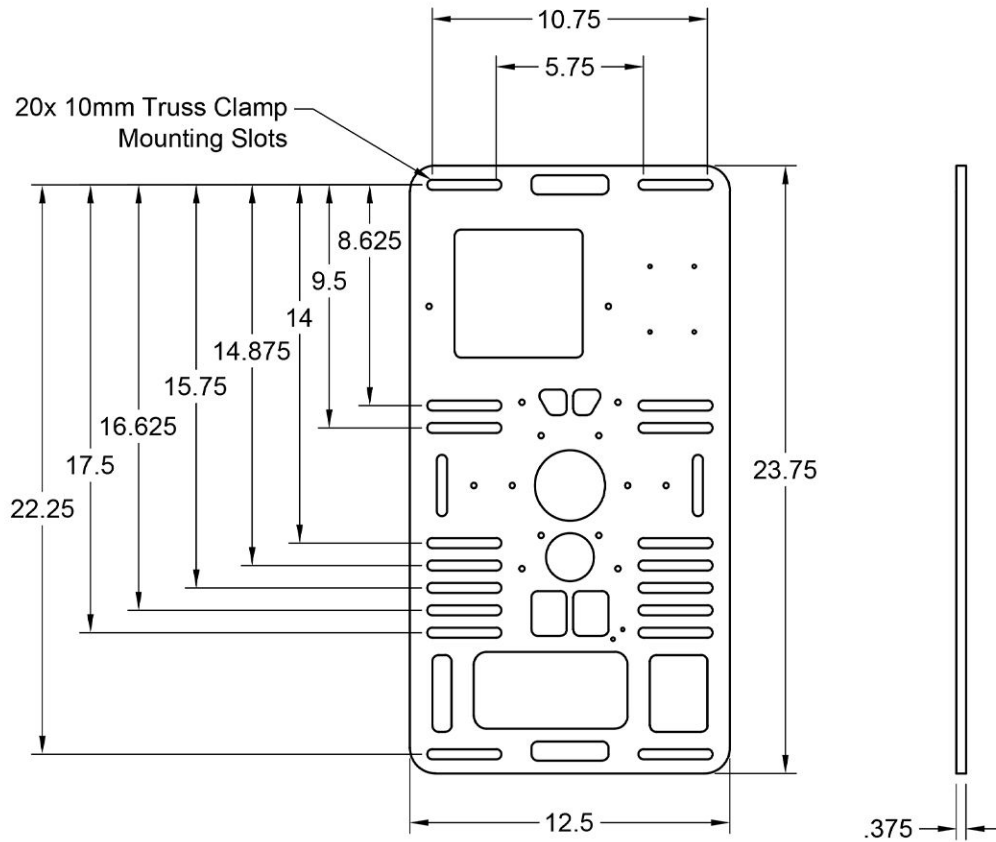




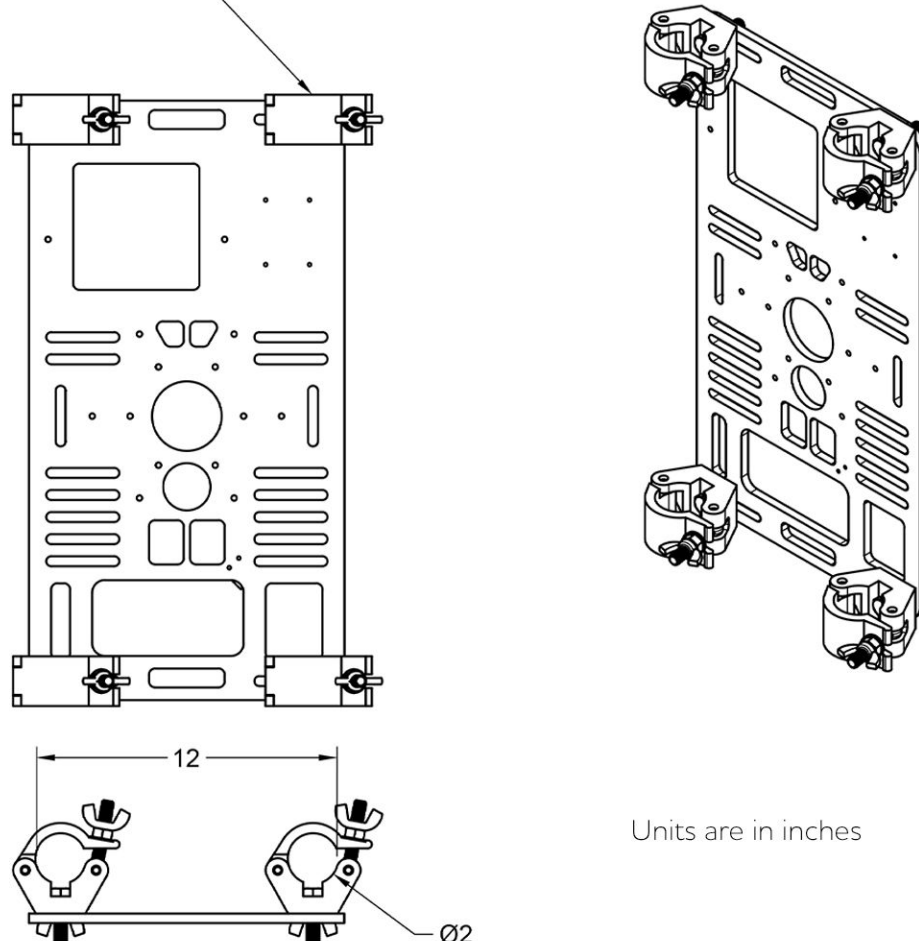
orcaVUE
OVERHEAD

Mounting Plate

The base of the OrcaVue Cloud is a universal mounting plate designed for 8-12" box truss. The unit includes four 2" truss clamps that can be easily repositioned to accommodate different truss designs.



4x 2" OD Truss Clamps Included

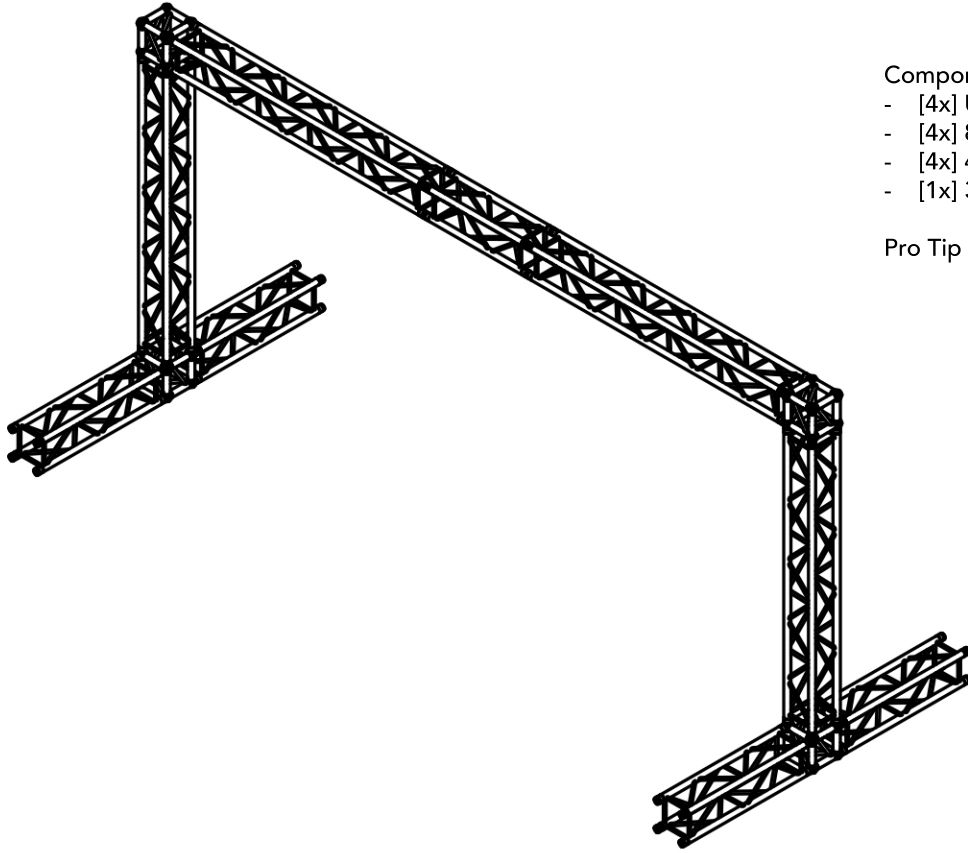




orcaVUE
OVERHEAD

Overhead Truss Example

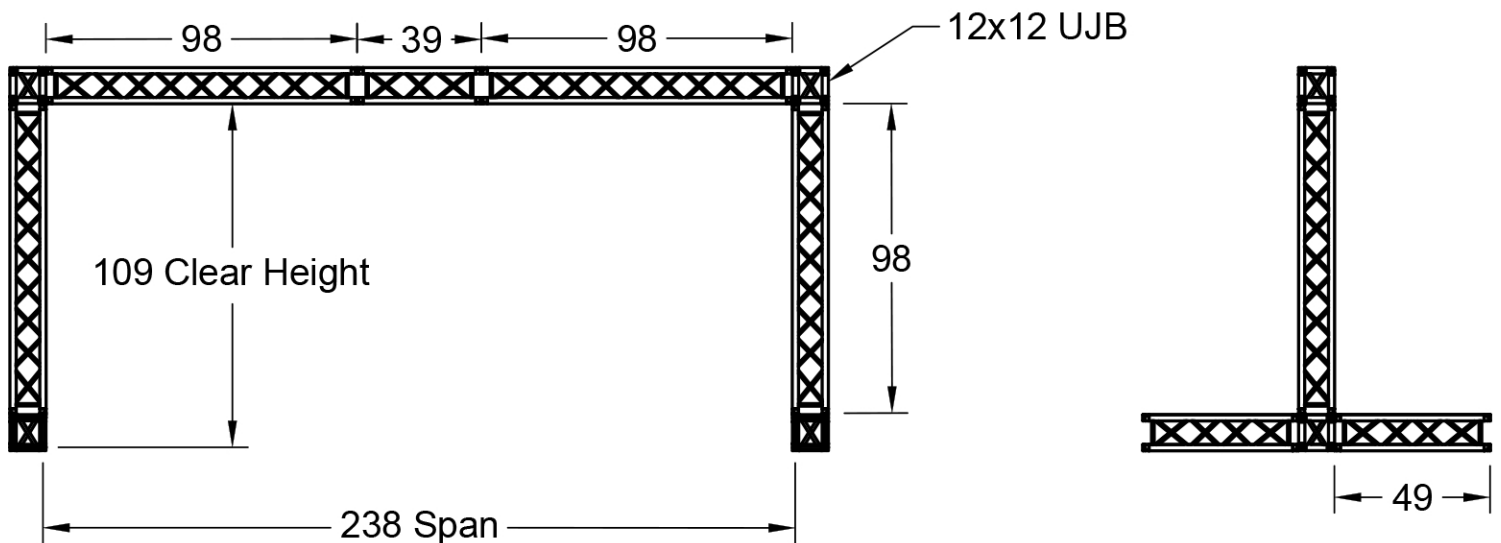
The OrcaVue Overhead can be mounted to various horizontal structures, but the most popular of which is the 12" Box Truss. The 12" Box Truss is universally used at events around the world and can be rented or purchased just about anywhere! There are infinite configurations to setup a Box Truss system, below is just one example of how it can be used to shoot a car.



Components include:

- [4x] UJB (Universal Joining Block)
- [4x] 8' Segment
- [4x] 4' Segment
- [1x] 3' Segment

Pro Tip - Bolt together truss provides greater rigidity



Units are in inches unless otherwise noted